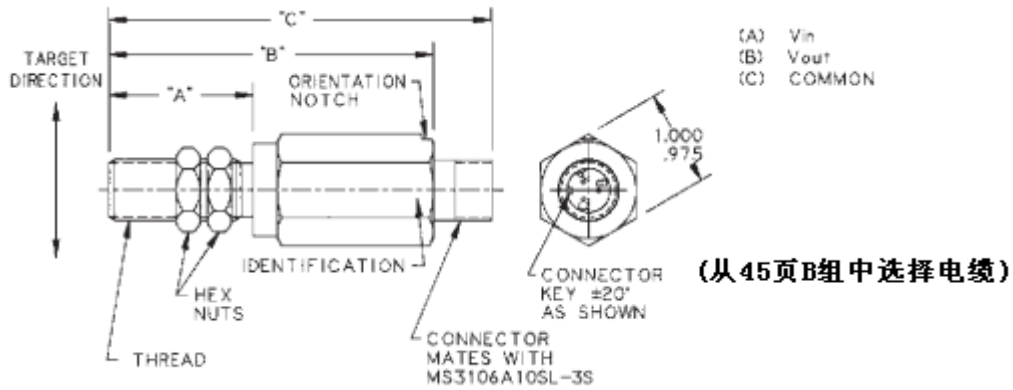
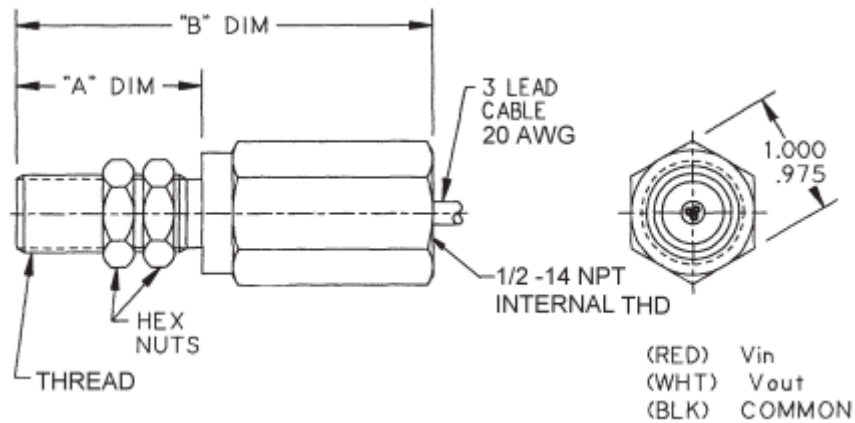


零转速—磁性霍尔效应传感器-5/8 和 3/4 螺纹
六边体带连接器



Old Part Num.	Superseded By	Remarks
H1512-001	RH1512-005	See Page #42 For Configuration
H1522-001	RH1522-005	
H1512-002	RH1512-006	
H1522-002	RH1522-006	
H1612-001	RH1612-005	
H1622-001	RH1622-005	
H1612-002	RH1612-006	
H1622-002	RH1622-006	

六边体带电缆



Part Num.	Thread	"A" Dimension	"B" Dimension	Cable Length	Output
RH1512-013	.625-18 UNF-2A	1.500 (38.100)	3.375 (85.725)	10 ft (3.05m)	TTL Compatible
RH1522-013	.625-18 UNF-2A	1.500 (38.100)	3.375 (85.725)	10 ft (3.05m)	Supply Tracking
RH1512-014	.625-18 UNF-2A	2.750 (69.850)	4.625 (117.475)	10 ft (3.05m)	TTL Compatible
RH1522-014	.625-18 UNF-2A	2.750 (69.850)	4.625 (117.475)	10 ft (3.05m)	Supply Tracking
RH1612-013	.750-20 UNEF-2A	1.500 (38.100)	3.375 (85.725)	10 ft (3.05m)	TTL Compatible
RH1622-013	.750-20 UNEF-2A	1.500 (38.100)	3.375 (85.725)	10 ft (3.05m)	Supply Tracking
RH1612-014	.750-20 LINEF-2A	2.750 (69.850)	4.625 (117.475)	10 ft (3.05m)	TTL Compatible
RH1622-014	.750-20 LINEF-2A	2.750 (69.850)	4.625 (117.475)	10 ft (3.05m)	Supply Tracking